

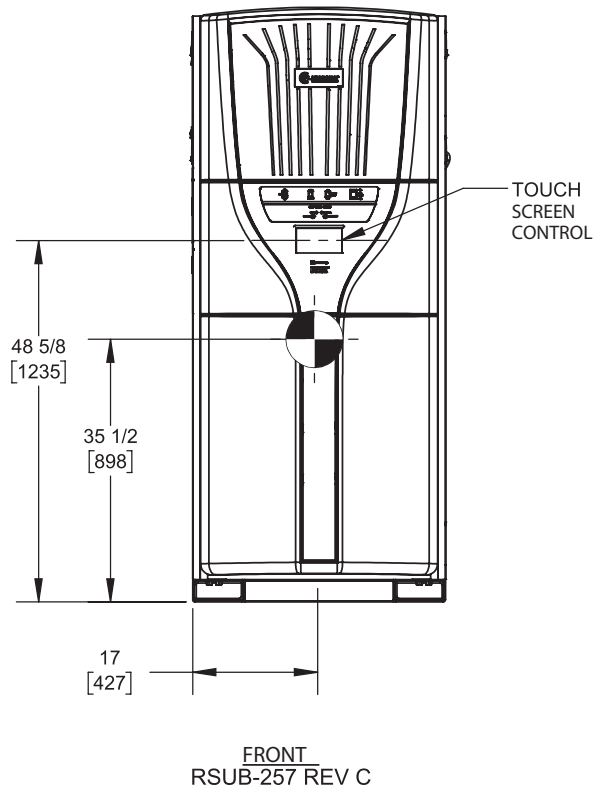
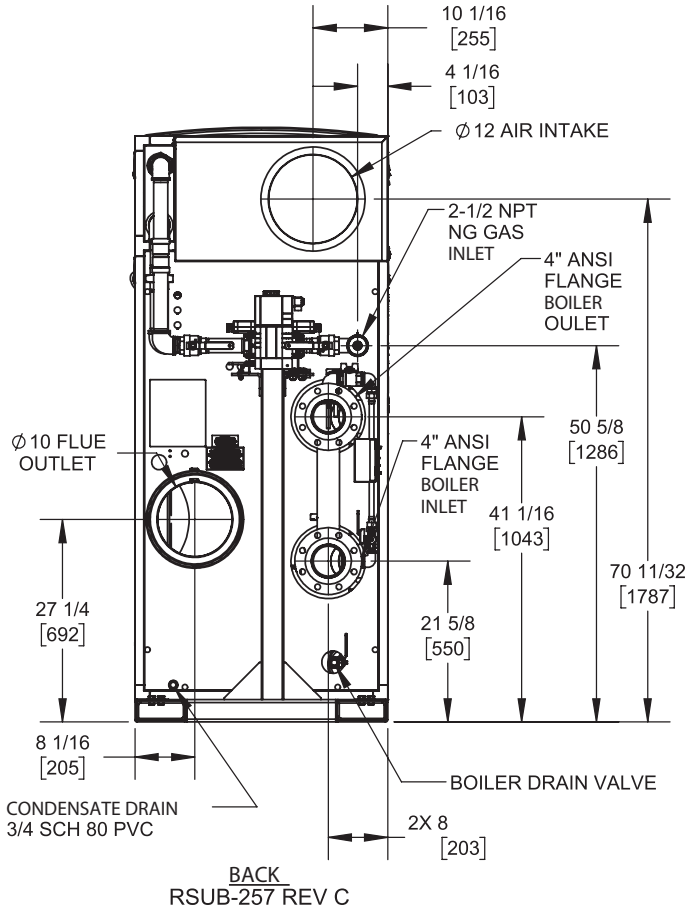
# FlexCore 3500

Category II or Category IV Appliance


(see Installation and Operation Manual for venting information)

## CODE OPTIONS

CSD-1	STANDARD
-------	----------



### Notes:

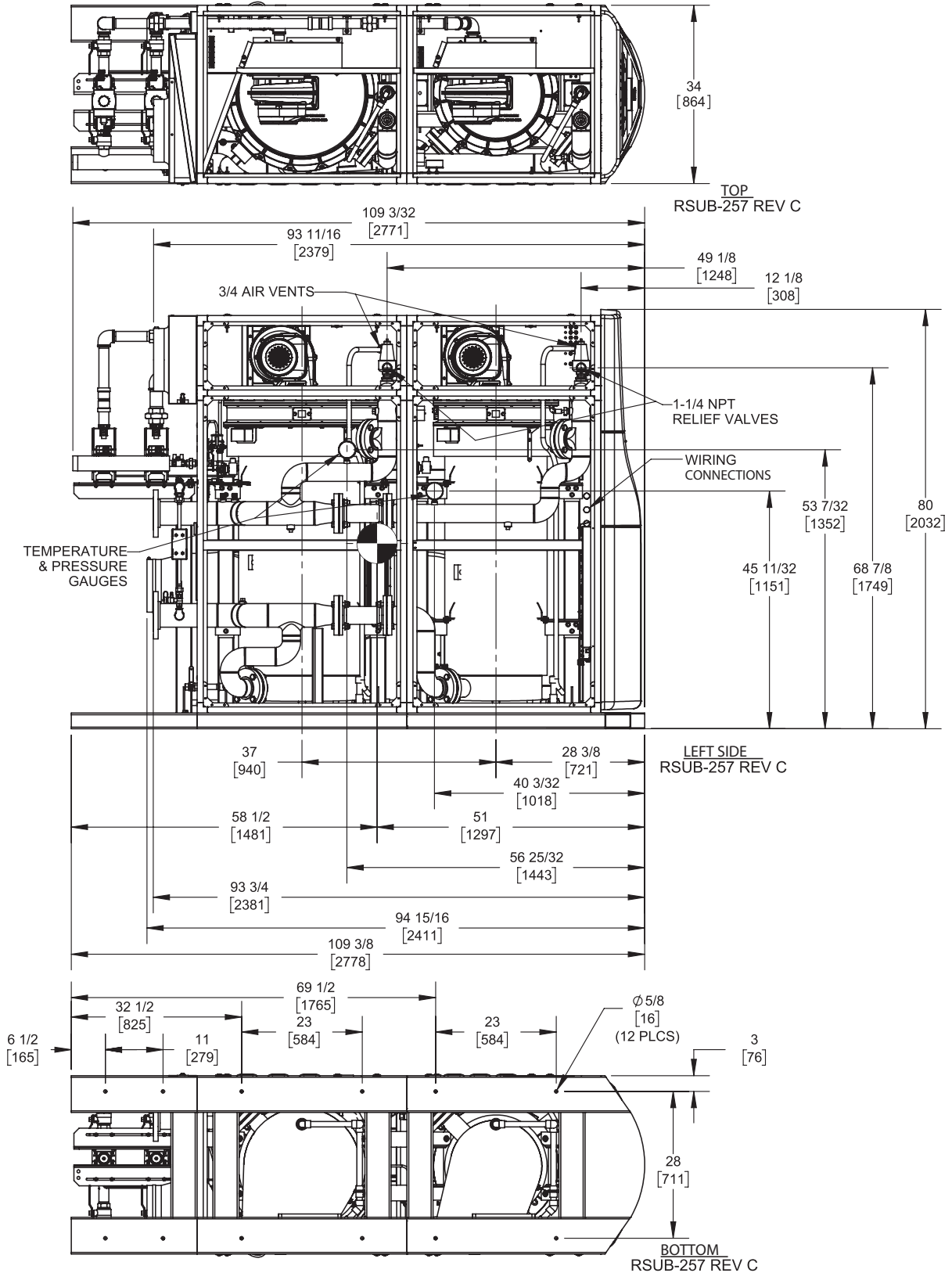
1. Dimensions are approximate and should not be used to "rough-in" equipment.
2. Dimensions are subject to change without notice.
3. All dimensions are in inches (mm).
4.  Symbol indicates center of gravity.

# FlexCore 3500

Category II or Category IV Appliance  
(see Installation and Operation Manual for venting information)

## CODE OPTIONS

CSD-1	STANDARD
-------	----------



**Notes:**

1. Dimensions are approximate and should not be used to "rough-in" equipment.
2. Dimensions are subject to change without notice.
3. All dimensions are in inches (mm).
4. ● Symbol indicates center of gravity.

## BOILER CERTIFIED RATINGS & CAPACITIES

<b>Fuel Type</b>	Natural Gas	<b>Boiler FLA</b>	20.6*
<b>Input BTU/hr.</b>	3,499,000 / 1025 KW	<b>Boiler HP</b>	99.4
<b>Output BTU/hr.</b>	3,327,549 MBH / 975 KW	<b>Min. Gas Pressure Required</b>	3" W.C.
<b>Electrical Requirements</b>	230 VAC/60 Hz/3PH	<b>Max. Gas Pressure Allowed</b>	14" W.C.
		<b>Operating Weight</b>	4070 lbs / 1846 kg

## BOILER TRIM & CONTROLS

<b>Main Gas Valve</b>	Dungs MBC	<b>Air Switch</b>	Huba
<b>Firing Valve</b>	1 1/2" Apollo	<b>Flow Sensor</b>	SIKA
<b>Ignition Control</b>	Honeywell RM7895C	<b>Blocked Flue Switch</b>	Cleveland NS2
<b>Operating Control</b>	HeatNet®	<b>Blower Motor</b>	Ametek
<b>High Limit</b>	Jumo	<b>L.W.C.O.</b>	800
<b>Main Ball Valve</b>	1 1/2" Apollo	<b>Relief Valve (2)</b>	1" x 1-1/4" set @ 50 psi
<b>Pilot Cock</b>	1/4"	<b>Pilot Regulator</b>	White-Rodgers

## A.S.M.E.

<b>ASME Sect IV Fire Side Htg Surface</b>	292 Sq. Ft. / 21.7 Sq. M.	<b>Design Data</b>	Max. 160 psig & 210°F
<b>ASME Sect IV Water Side Htg Surface</b>	306 Sq. Ft. / 28.5 Sq. M.	<b>Water Volume</b>	102 gal / 385 liters
<b>CV. GPM (1PSID)</b>	165		

\* Add circulator amps.

## BOILER TEMPERATURE RISE / PRESSURE DROP (Based on Full Input)

20°F / 11.1°C				40°F / 22.2°C				60°F / 33.3°C				80°F / 44.4°C				100°F / 55.5°C			
Flow Rate		Pressure Drop		Flow Rate		Pressure Drop		Flow Rate		Pressure Drop		Flow Rate		Pressure Drop		Flow Rate		Pressure Drop	
GPM	L/s	Ft	kPa	GPM	L/s	Ft	kPa	GPM	L/s	Ft	kPa	GPM	L/s	Ft	kPa	GPM	L/s	Ft	kPa
332.9	21.0	9.4	28.1	166.4	10.5	2.3	7.0	111.0	7.0	1.0	3.1	83.2	5.3	0.6	1.8	66.6	4.2	0.4	1.1

Flow GPM				Temp. Rise** (°F)				Vent Length (Equiv. Ft.)				Air Inlet Length (Equiv. Ft.)			
Min		Max		Min		Max		Min		Max		Min		Max	
66.6		332.9		20		100		6		100		0		100	

\*\* Min/Max delta t reflects boiler operation at full input. For applications requiring operation above/below these parameters please consult factory.

<b>REP FIRM</b>	_____
<b>SUBMITTED BY</b>	_____
<b>JOB NAME</b>	_____
<b>ARCHITECT</b>	_____
<b>ENGINEER</b>	_____
<b>CONTRACTOR</b>	_____
<b>DATE</b>	_____

# FlexCore 3500

**Category II or Category IV Appliance**  
(see Installation and Operation Manual for venting information)



A Division of Mestek, Inc.  
Westfield, MA 01085  
(413) 564-5515